

Honeywell

CARMEL 48" CEILING FAN

MODELS #50196, 50197

Español p. 21



Questions, problems, missing parts? Before returning to your retailer, call our customer service department at 1-877-361-3883, Monday - Thursday, 8 am - 6 pm, EST and Friday, 8 am - 5 pm, EST.

WELCOME

TABLE OF CONTENTS

Care and Maintenance	2
Package Contents	3
Safety Information	4
Mounting Options	5
Mounting Bracket Installation	6
Standard or Angle Mounting Instructions	7
Closemount Instructions	10
Wiring	11
Canopy Installation	12
Blade Installation	13
Light Kit Installation	14
Operating Instructions	16
Replacement Parts List	18
Troubleshooting	19
Limited Lifetime Warranty	20

ATTACH YOUR RECEIPT HERE

Serial Number _____
Purchase Date _____

PREPARATION

Before beginning the assembly of this product, ensure that all parts are present. Compare all parts with the package contents list and hardware contents list. If any part is missing or damaged, do not attempt to assemble the product.

After opening the top of the carton, remove the mounting hardware package from the foam inserts, then remove the motor from the packaging and place it on a soft surface, such as a carpet, to avoid damage to the finish.

Estimated Assembly Time: Under 60 minutes

Tools Required for Assembly (not included): Electrical Tape, Phillips Screwdriver, Pliers, Safety Glasses, Step Ladder, and Wire Strippers

Helpful Tools (not included): AC Tester Light, Tape Measure, Wiring Handbook, and Wire Cutters

CARE AND MAINTENANCE

At least twice each year, lower the canopy to check the downrod assembly, and then tighten all screws on the fan. Clean the motor housing with only a soft brush or lint-free cloth to avoid scratching the finish. Clean the blades with a lint-free cloth. You may occasionally apply a light coat of furniture polish to wood blades for added protection.

Important: Shut off the main power supply before you begin any maintenance tasks. Do not use water or a damp cloth to clean the ceiling fan.

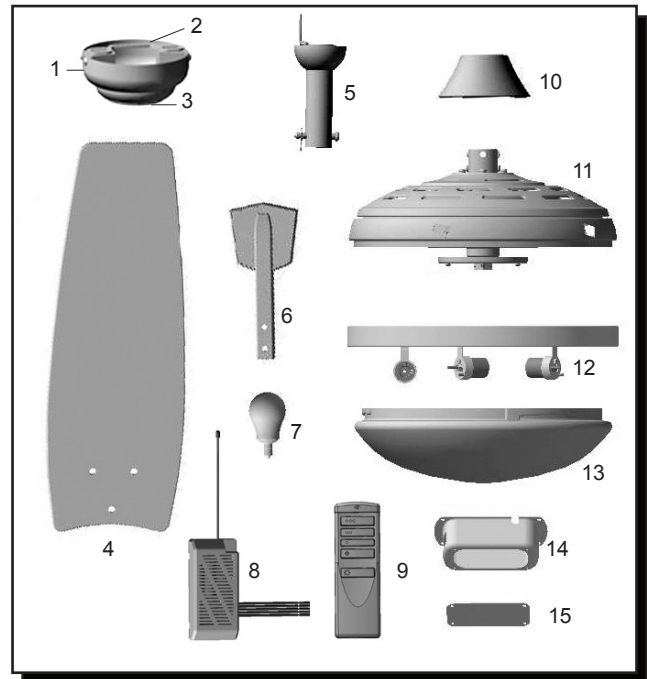
FAN WEIGHT

The net weight of this fan is: 17.6 lbs. (8,0 kg).

PACKAGE CONTENTS

Unpack your fan and check the contents. You should have the following items:

1. Canopy
2. Mounting Bracket
3. Canopy Cover
4. Blades (5)
5. Downrod
6. Blade Arm (5)
7. Bulb (3)
8. Receiver
9. Remote Control
10. Yoke Cover
11. Motor Assembly
12. Light Kit
13. Glass Globe
14. Switch Housing
15. Switch Housing Cover
16. Loose parts bags containing (not shown):
Mounting hardware, blade attachment hardware, electrical hardware and wire connectors, etc.



SAFETY INFORMATION

Please read and understand this entire manual before attempting to assemble, operate, or install the product.

- Before you begin installing the fan, disconnect the power by removing fuses or turning off the circuit breakers.
- Make sure that all electrical connections comply with local codes, ordinances, the National Electrical Code, and ANSI/NFPA 70-199. Hire a qualified electrician or consult a do-it-yourself wiring handbook if you are unfamiliar with installing electrical wiring.
- Make sure the installation site you choose allows a minimum clearance of 7 ft. from the blades to the floor and at least 30 in. from the end of the blades to any obstruction.

DANGER

When using an existing outlet box, make sure the outlet box is securely attached to the building structure and can support the full weight of the fan. Failure to do this can result in serious injury or death. The stability of the outlet box is essential in minimizing wobble and noise in the fan after installation is complete.

WARNING

To reduce the risk of fire or electric shock, do not use the fan with any solid-state speed-control device or control the fan speed with a full-range dimmer switch.

WARNING

To reduce the risk of fire, electric shock, or personal injury, do not bend the blade arms when installing them, balancing the blades, or cleaning the fan. Do not insert objects between the rotating fan blades.

WARNING

To reduce the risk of fire, electric shock, or personal injury, mount the fan to an outlet box marked “ACCEPTABLE FOR FAN SUPPORT” and use the mounting screws provided with the outlet box. Most outlet boxes commonly used for the support of lighting fixtures are not acceptable for fan support and may need to be replaced. Consult a qualified electrician if in doubt. Secure the outlet box directly to the building structure. The outlet box and its support must be able to support the moving weight of the fan (at least 35 lbs.). Do NOT use a plastic outlet box.

CAUTION

Be sure the outlet box is properly grounded or that a ground (green or bare) wire is present.

CAUTION

Read all instructions and safety information before installing your new fan. Review the accompanying assembly diagrams.

MOUNTING OPTIONS



DANGER



Turn off the circuit breakers and the wall switch to the fan supply line leads. Failure to disconnect the power supply prior to installation may result in serious injury or death.

1. Your fan has 3 mounting options:

- Standard (Fig. 1)
- Angled (Fig. 2)
- Closemount (Fig. 3)

Note: The fans in figures 1 through 3 are not the actual fan in your package, they are representation of the 3 different mounting options.

Important: If using the angle mount, check to ensure the ceiling angle is not steeper than 10°.

Helpful Hint: Standard mounting is best suited for ceilings 8 ft. or higher. For taller ceilings you may want to use a longer downrod (sold separately). Angled mounting is best suited for angled or vaulted ceilings. A longer downrod is sometimes necessary to ensure proper blade clearance. Closemount-style mounting is more suitable for ceilings lower than 8 ft. (2,44 m) high.

2. Ensure that the blades of the fan are 30 in. (76 cm) from any obstruction.
3. Check the downrod length to ensure the blades will be at least 7 ft. (2,14 m) above your floor.

Fig. 1

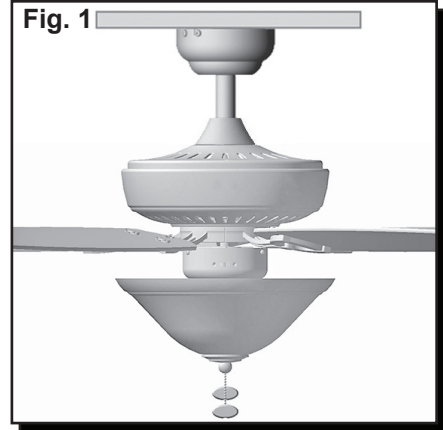


Fig. 2

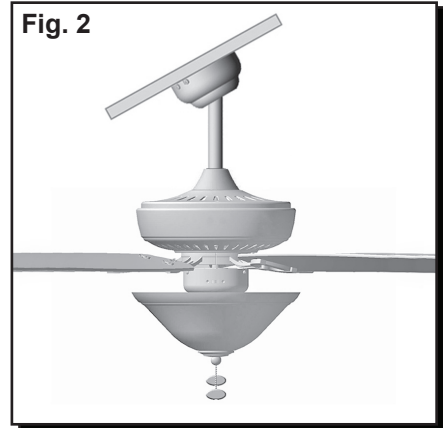
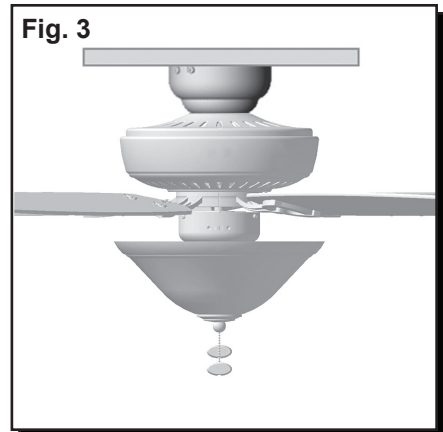


Fig. 3



MOUNTING BRACKET INSTALLATION

- Remove the two mounting bracket screws and washers from the round holes in the canopy and loosen the other two screws. Set aside for later use. Detach mounting bracket from canopy (Fig. 4).

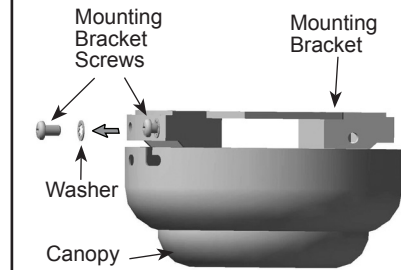


Mounting Bracket
Screw



Washer

Fig. 4

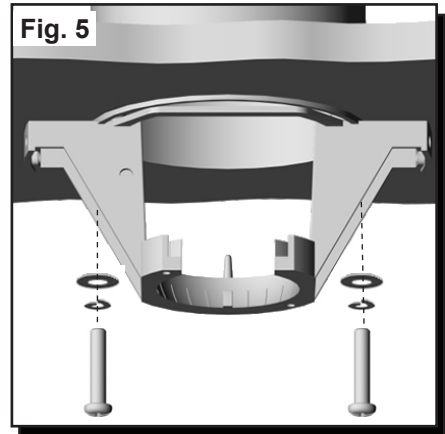


- Secure the mounting bracket to the outlet box using screws and washers provided with the outlet box (not included) (Fig. 5).

Note: It is very important that you use proper hardware when installing the mounting bracket as it supports the fan.

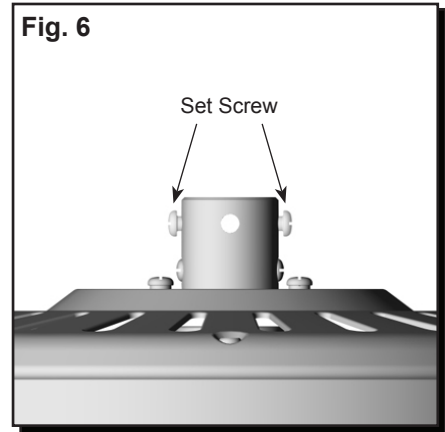
Important: If using the angle mount, ensure that the open end of the mounting bracket is installed facing the peak of the ceiling.

Fig. 5

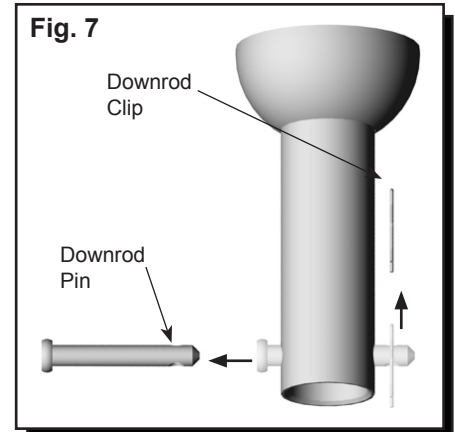
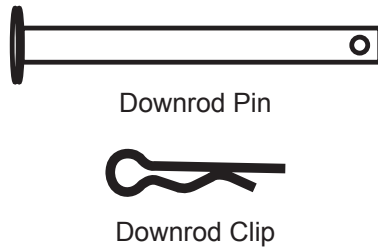


STANDARD OR ANGLE MOUNTING INSTRUCTIONS

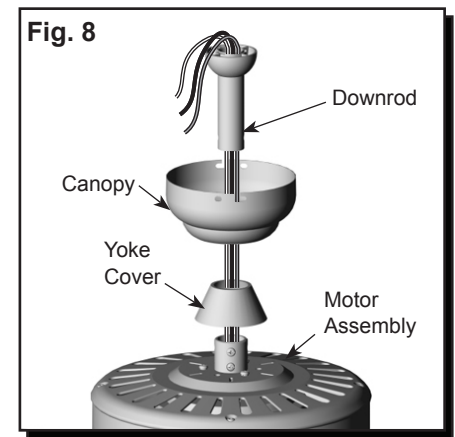
- Partially loosen the motor housing set screws in the yoke at the top of the motor housing (Fig. 6).



- Remove the downrod pin and downrod clip from the downrod (Fig. 7).



- Thread the wires from the motor assembly through the yoke cover, canopy and out the top of the downrod (Fig. 8).



STANDARD OR ANGLE MOUNTING INSTRUCTIONS

9. Slide the downrod into the yoke of the motor assembly, align the holes, and re-install the downrod pin and downrod clip. Then re-tighten the set screws (Fig. 9).

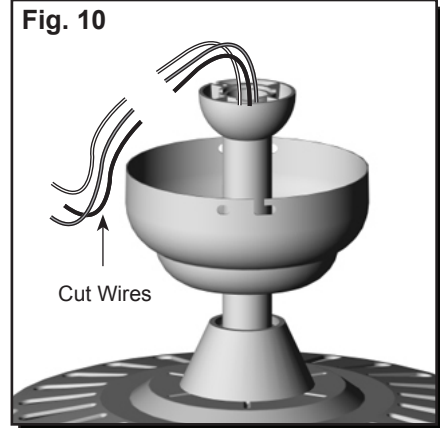
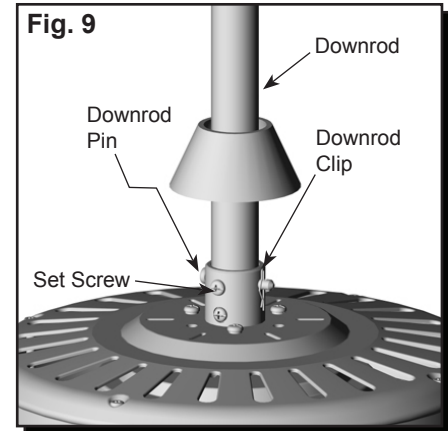


Downrod Pin



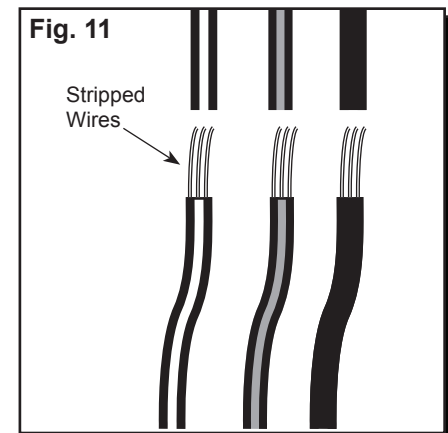
Downrod Clip

10. Depending on the length of downrod you use, you may need to cut the lead wires back to simplify the wiring. If you decide to cut back the lead wires, it is suggested that you do so in the following manner: Take the lead wires and make sure that you have pulled them all the way through the top of the downrod and measure 8 in. of lead wire, and then cut the excess wire off with wire cutters (not included) (Fig. 10).



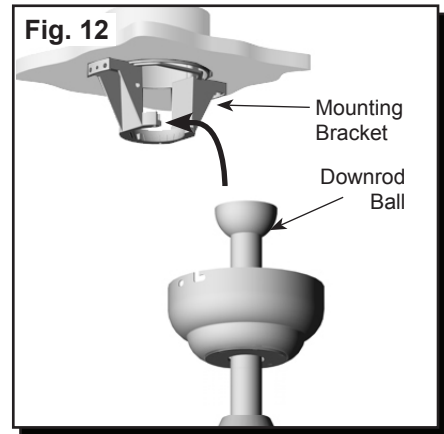
11. If you cut back the lead wire in Step 10, strip 1/2 in. of insulation from the end of each wire. Twist the stripped ends of each strand of wire within the insulation with pliers (not included) (Fig. 11).

Note: If you did not cut back the lead wires in Step 10, Step 11 is not necessary and you may proceed to Step 12 instead.

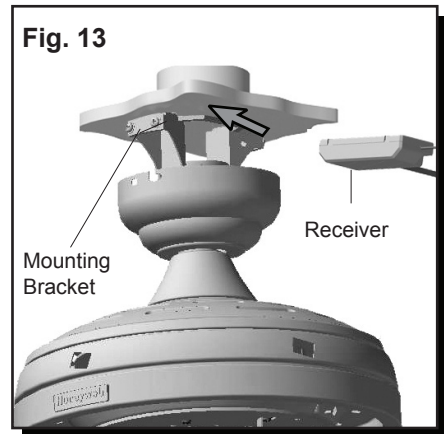


STANDARD OR ANGLE MOUNTING INSTRUCTIONS

12. Install the ball end of the downrod into the mounting bracket opening. Align the slot in the ball with the tab in the mounting bracket. The rod should not rotate if installed correctly (Fig. 12).



13. Insert the receiver into the mounting bracket with the flat side toward the ceiling (Fig. 13).



CLOSEMOUNT INSTRUCTIONS

14. Remove the canopy cover from the bottom of the canopy (Fig. 14).

Helpful Hint: Closemount mounting is more suitable for ceilings lower than 8 ft. (2,44 m) high. The downrod, hanging ball, and canopy cover are not used in this type of installation.

Fig. 14



15. Align the canopy with the closemount screw holes in the top of the motor assembly. Secure the canopy to the top of the motor assembly by installing three closemount screws and spring washers into the top of the motor housing (Fig. 15).

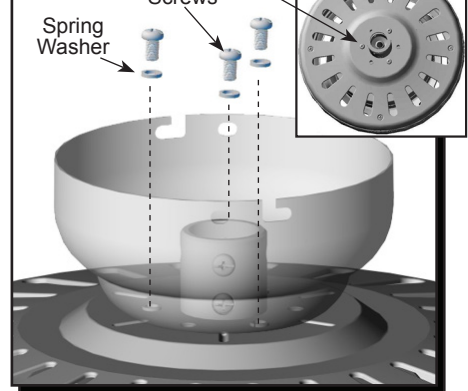


Closemount Screw



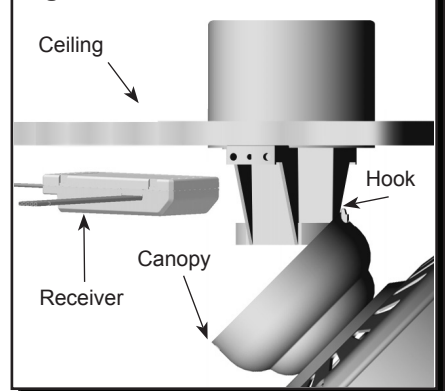
Spring Washer

Fig. 15



16. Raise the fan and place the canopy on the mounting bracket hook for wiring. Insert the receiver into the mounting bracket with the flat side facing the ceiling (Fig. 16).

Fig. 16



WIRING

⚠ CAUTION ⚠

Be sure outlet box is properly grounded or that a ground (green or bare) wire is present.

⚠ WARNING ⚠

If house wires are different colors than referred to in the following step, stop immediately. A professional electrician is recommended to determine wiring. Incorrect wire connection can damage the receiver and could cause fire or injury.

17. Connect supply, receiver, and fan wires according to the diagram (Fig. 17) and these steps:
- Connect the Green wires from the fan and mounting bracket to the Bare/Green (ground) supply wire.
 - Connect the Blue wire from the receiver to the Blue fan wire.
 - Connect the Black wire from the receiver to the Black fan wire.
 - Connect the Red wire from the receiver to the Black (hot/power) supply wire.
 - Connect the White wire with the red label from the receiver to the White (neutral) supply wire.
 - Connect the White wire with the white label from the receiver to the White fan wire.

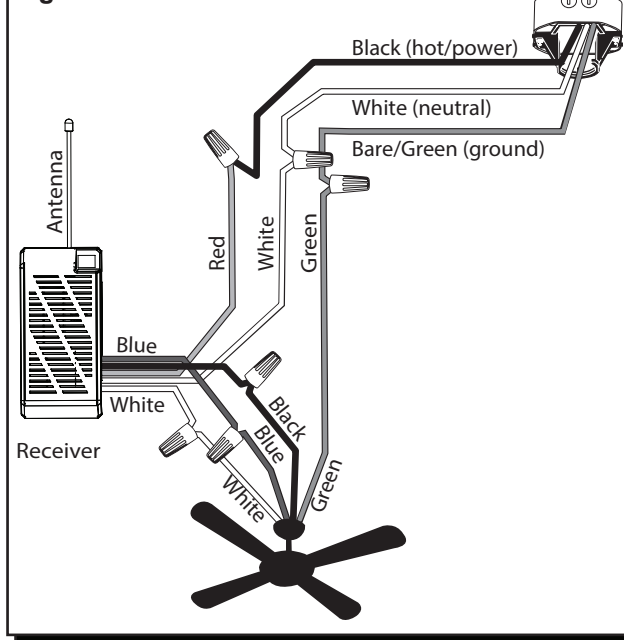
Secure all wiring connections together with wire connectors and push all connected wires back into the outlet box.

Important: The black fan wire is power for fan. The blue fan wire is power for the light. The white wire from the fan is common/neutral. The green wires from the fan and mounting bracket are ground wires.



Wire Connector

Fig. 17



CANOPY INSTALLATION

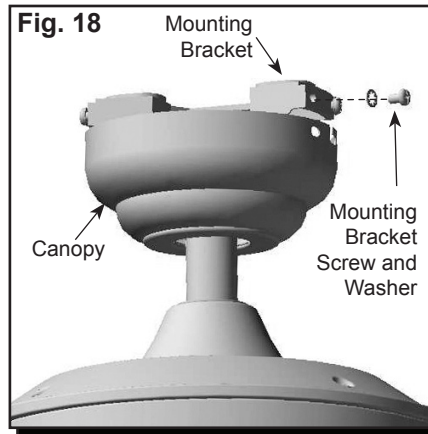
18. Lift the canopy up so the partially installed mounting bracket screws are situated in the L-slots on each side of the canopy. Rotate the canopy clockwise and install the remaining mounting bracket screws and washers removed in Step 4 (Fig. 18).



Mounting Bracket
Screw

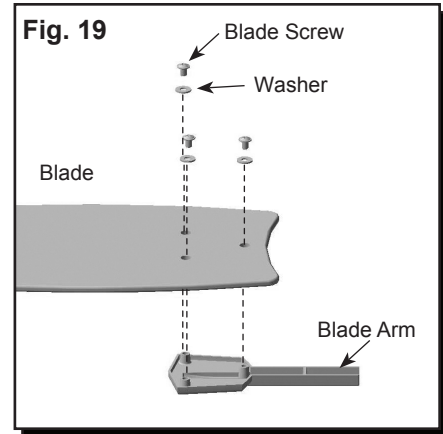
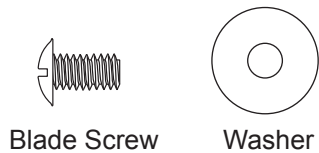


Washer

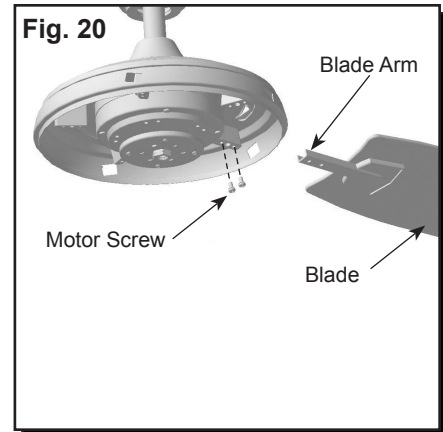
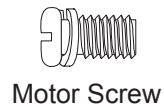


BLADE INSTALLATION

20. Partially insert three blade screws along with three blade washers through one blade and into one blade arm. Tighten each blade screw with a Phillips screwdriver, starting with the one in the middle. Repeat this step for the remaining blades and blade arms (Fig. 20).



20. Insert blade arm through slots in the side of the motor assembly. Align the holes of one blade arm with two motor screw holes in underside of the motor assembly. Secure with two motor screws. Repeat this step for the remaining blade arms (Fig. 20).



LIGHT KIT INSTALLATION

21. Remove two of the four fitter plate screws located on the underside of the motor assembly and loosen the other two screws. Align the two key slots of the light kit with the loosened fitter plate screws. Rotate the light kit clockwise until the screw heads engage the key slots. Replace previously removed fitter plate screws, then tighten all screws (Fig. 21).



Fitter Plate
Screw

22. Remove the four switch housing cover screws preassembled to the switch housing. Set aside for later (Fig. 22).



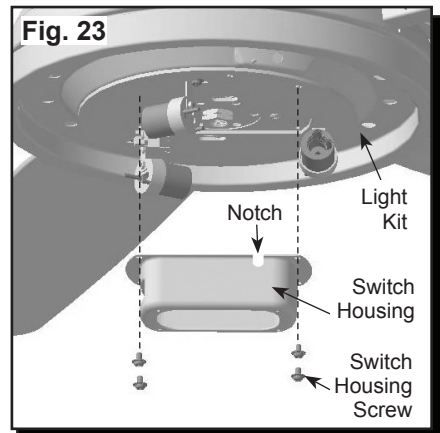
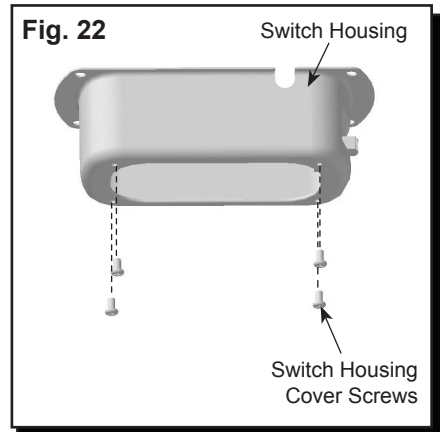
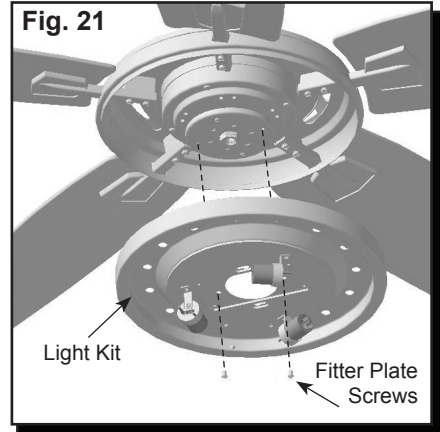
Switch Housing
Cover Screw

23. Remove the four switch housing screws preassembled to the light kit. Secure the switch housing to the light kit by re-installing the switch housing screws (Fig. 23).

Note: The switch housing should be oriented so its notch covers the wiring from the light kit.



Switch Housing
Screw



LIGHT KIT INSTALLATION

24. Connect the two 4-pin connectors and two 9-pin connectors from the switch housing. Insert the connectors into the switch housing. Then, install the switch housing cover to the switch housing using the switch housing cover screws that were previously removed (Fig. 24).

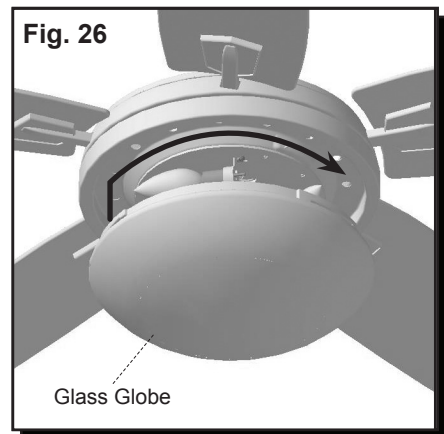
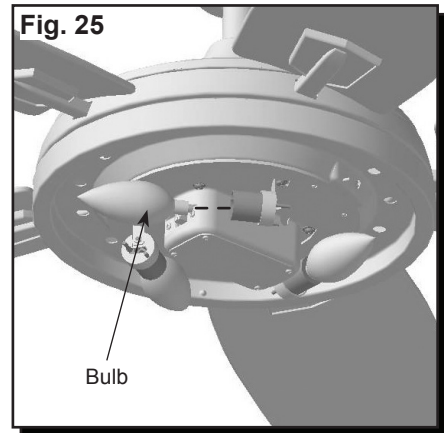
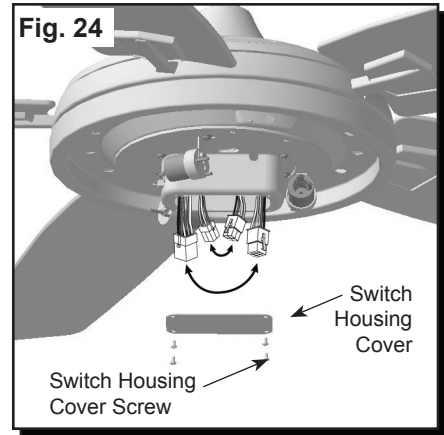


Switch Housing
Cover Screw

25. Install bulbs (Fig. 25).

Important: When replacing the bulb, allow bulb and light kit to cool before touching.

26. Lift the glass globe up to the light kit and twist tightly in a clockwise direction until it is secure (Fig. 26).



OPERATING INSTRUCTIONS

27. Use the fan reverse switch, located on the side of the light kit, to optimize your fan for seasonal performance (Fig. 27).

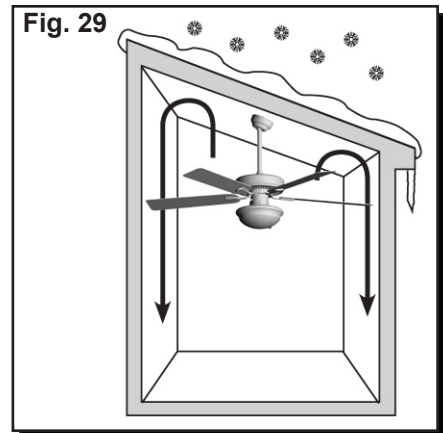
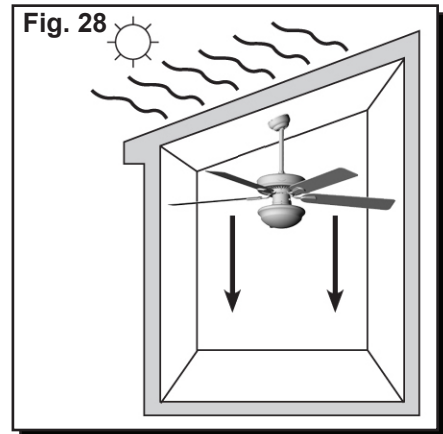
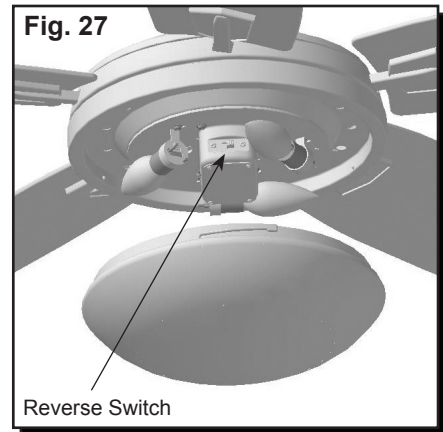
Using a ceiling fan will allow you to raise your thermostat in the summer and lower your thermostat in the winter without sacrificing comfort.

Important: Wait for the fan to stop before moving the reverse switch. The reverse switch must be set either completely left or right in order for the fan to function correctly. If the reverse switch is set in the middle position, the fan will not operate.

28. **In warmer weather**, push the reverse switch left, which will result in downward airflow creating a wind chill effect (Fig. 28).

Note: Energy savings are possible by turning on the ceiling fan and setting the thermostat a few degrees warmer. To maximize savings, turn ceiling fan off when no one is in the room.

29. **In cooler weather**, push the reverse switch right and the fan to low, which will result in upward airflow that can help move stagnant, hot air off the ceiling area. By mixing the air, the heat may not have to run as often and may yield energy savings (Fig. 29).



OPERATING INSTRUCTIONS

30. Remove the battery cover from the back of the remote (Fig. 30). After removing the protective plastic, insert the battery. Replace the battery cover.

D/CFL Switch: Located inside the battery compartment of the remote, this switch should be moved to either “D” for dimmer or “CFL” for compact fluorescent bulbs depending on which type of bulbs you’ve installed in the fan.

Note: The switch is pre-set to “CFL”. Move the switch to “D” to correspond with the included incandescent bulbs which will enable the dimming function.

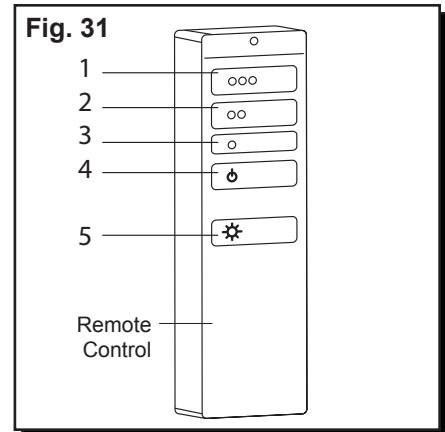
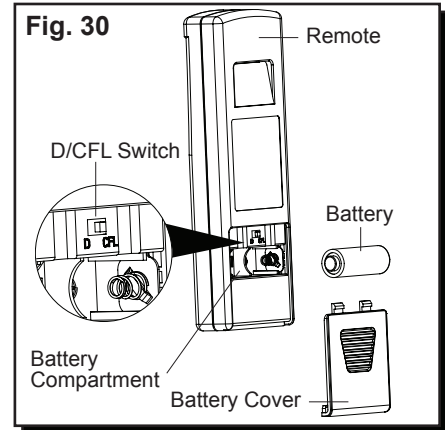
Important: The dimmer function does not work with CFL bulbs.

31. To operate the fan using the remote, press and release the following buttons (Fig 31):

- 1 - High fan speed
- 2 - Medium fan speed
- 3 - Low fan speed
- 4 - Power - Turns the fan off.

Light Delay Off mode - Press and hold the power button (4) for five seconds, which will turn off light after one minute. The LED indicator on the remote will flash four times to confirm mode setting.

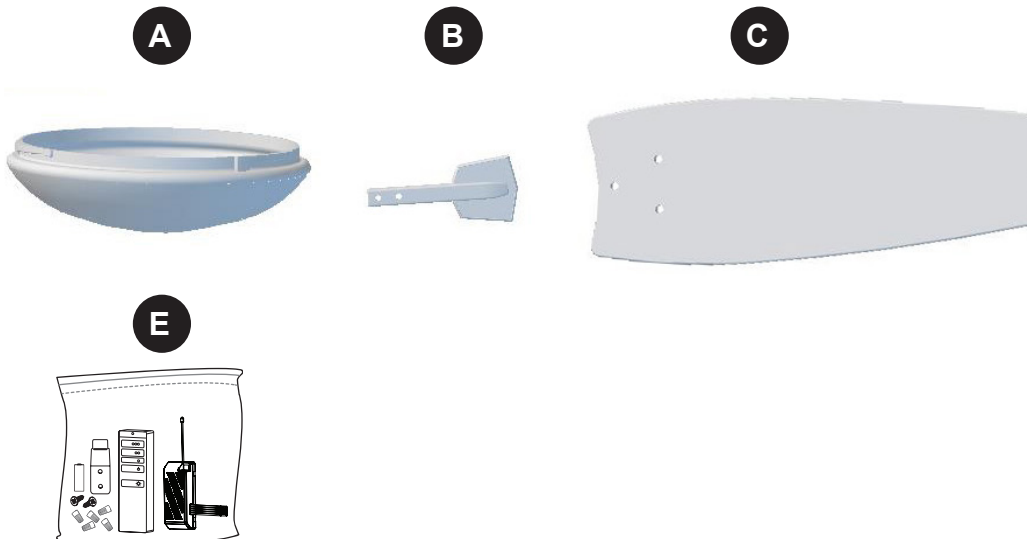
5 - Light Control - Press button to turn lights off and on (all bulbs). Press and hold light control to dim or brighten the lights (incandescent bulbs only).



REPLACEMENT PARTS LIST

For replacement parts, call the customer service department at 1-877-361-3883, 8 a.m. - 6 p.m., EST, Monday - Thursday, 8 a.m. - 5 p.m., EST, Friday.

PIECE	DESCRIPTION	MODEL 50196 PART #	MODEL 50197 PART #
A	Glass Globe	50196-A	50197-A
B	Blade Arm	50196-B	50197-B
C	Blade	50196-C	50197-C
D	Loose parts bags containing (not shown): Mounting hardware, blade attachment hardware, electrical hardware and wire connectors, etc.	50196-D	50197-D
E	Remote Control Pack	50196-E	50197-E



TROUBLESHOOTING

At least twice each year, lower the canopy to check the downrod assembly, and then tighten all screws on the fan. Clean the motor housing with only a soft brush or lint-free cloth to avoid scratching the finish. Clean the blades with a lint-free cloth. You may occasionally apply a light coat of furniture polish to wood blades for added protection.

Important: Shut off the main power supply before you begin any maintenance tasks. Do not use water or a damp cloth to clean the ceiling fan.

Problem: The fan does not move

1. Turn the power on or check the fuse.
2. Turn the power off. Loosen the canopy and check all connections.
3. Check that the connectors from the light kit fitter and fan are connected properly.
4. Disable the power supply to the fan motor and re-start the motor.
5. The blade is overweight. Do not install the unapproved blades.

Problem: The fan is noisy.

1. Check and tighten all screws that hold the fan blades to the blade arms and the motor.
2. Replace the cracked blade.

Problem: There is excessive wobbling

1. Check and tighten all screws that hold the fan blades to the blade arms and the blade arms to the motor.
2. Switch one blade with a blade from the opposite side or balance the fan using a balancing kit.
3. Turn off the power. Loosen the canopy and verify that the mounting bracket is secure to the electrical outlet box.
4. The bracket must be flush without movement against the outlet box.

Problem: The fan operates correctly, but the lights are not working (if applicable).

1. Re-install the bulb(s).
2. Ensure that the male and female plugs in the light kit fitter are connected properly.
3. Turn the power off and check all connections at the ceiling outlet box.
4. Check to see if the light is over than 190W, since a limiter included.

Problem: The remote control doesn't work.

1. Replace the remote battery with a 23A, 12-volt battery.
2. To re-sync remote to fan - Press and hold the high and low speed buttons on the remote control at the same time for 5 seconds. The LED indicator will flash 3 times. When syncing is complete, the fan will start on the low speed with the light (if applicable) off.

LIMITED LIFETIME WARRANTY

Subject to the limitations set forth below, Hong Kong China Electric appliance Company (HKC) warrants the fan motor for this ceiling fan to be free from defects in workmanship and material for the life of the product. Also, subject to the limitations below, HKC warrants all ceiling fan parts (“ceiling fan parts” excludes the motor and parts made in whole or in part with glass) to be free from defects in workmanship and material for a period of one year after the date of purchase by the original purchaser at retail.

All claims must be made by the original purchaser, whether such purchaser purchased the product through a store or contractor. Ceiling fan part defects must be reported within the first year from the date of purchase. Parts made in whole or in part with glass and the finishes of metal and other surfaces are not warranted.

Purchasers are responsible for all costs of removing and reinstalling the product. Any damage to any part caused by ordinary wear and tear, accident, misuse, or improper installation, is not covered by this warranty. HKC assumes no responsibility whatsoever for fan installation. Any service performed by a non-licensed electrician will render the warranty invalid.

HKC’s sole responsibility shall be to repair or replace the motor, parts, or product within the terms stated above. HKC SHALL NOT BE LIABLE FOR ANY LOSS OR DAMAGE OF ANY KIND, INCLUDING ANY INCIDENTAL OR CONSEQUENTIAL DAMAGES RESULTING DIRECTLY OR INDIRECTLY, FROM ANY BREACH OF WARRANTY, EXPRESS OR IMPLIED, OR ANY OTHER FAILURE OF THIS PRODUCT. SOME STATES DO NOT ALLOW THE EXCLUSION OR LIMITATION OF INCIDENTAL OR CONSEQUENTIAL DAMAGES SO THIS LIMITATION MAY NOT APPLY TO YOU. IF THE ORIGINAL PURCHASER CEASES TO OWN THE FAN, THIS WARRANTY IS VOIDED.

Should the purchaser encounter a problem with your fan related to defects in workmanship or materials within the warranty period associated with the defective part, HKC agrees to replace the defective part without charge, or at its option, to replace the ceiling fan with a comparable or superior model.

HKC’S WARRANTIES ARE LIMITED TO THE WRITTEN WARRANTIES SET OUT IN THIS HKC CEILING FAN LIMITED LIFETIME WARRANTY. ALL OTHER EXPRESS AND IMPLIED WARRANTIES, INCLUDING, WITHOUT LIMITATION, THE IMPLIED WARRANTY OF FITNESS FOR A PARTICULAR PURPOSE AND THE IMPLIED WARRANTY OF MERCHANTABILITY ARE DISCLAIMED. SOME STATES DO NOT ALLOW THE DISCLAIMER OF IMPLIED WARRANTIES, SO THIS DISCLAIMER MAY NOT APPLY TO YOU.

To obtain warranty service, please write down your model number and call Customer Service at 1-877-361-3883 Monday - Thursday, 8 am - 6 pm, EST and Friday, 8 am - 5 pm, EST. Please have a copy of the receipt as proof of purchase.

The Honeywell Trademark is used under license from Honeywell International Inc. Honeywell International Inc. makes no representations or warranties with respect to this product. This product is manufactured for:

Hong Kong China Electric Appliance Manufacture Co., Ltd.
3059 Forest Hill Irene Rd, Suite 103
Germantown, TN 38138
1-877-361-3883